

work in silence.

# BORG



## Rapide

### CONCEPT

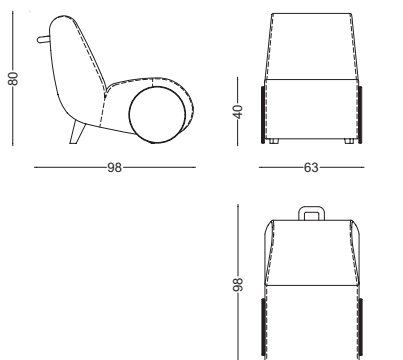
---

DESIGN BY MARTIN SAAR

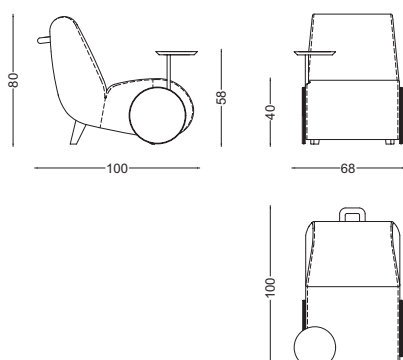
Rapide is a lounge chair that mixes the forms of the golden age with contemporary functionality. Its details, inspired by a wheelbarrow, give it the ability to be comfortably moved around according to need. Rapide's wooden legs, oversized wheels and handle convey a warm presence, making it a chair that perfectly translates from public to domestic interiors. Its swift yet inviting character offers high levels of comfort and allows for a relaxed posture.



# Rapide



RPD/TT 63



RPD/TT L 68

## FRAME

Birch plywood and hardwood with glued and screwed joints

## FOAM

Seat: Recticel E50 public use  
Inside, outside and back: Recticel E35

## LEGS, HANDLE

Oak

## WHEELS

Ball bearing oak wheels with rubber band

## FABRICS

Fabb Vidar

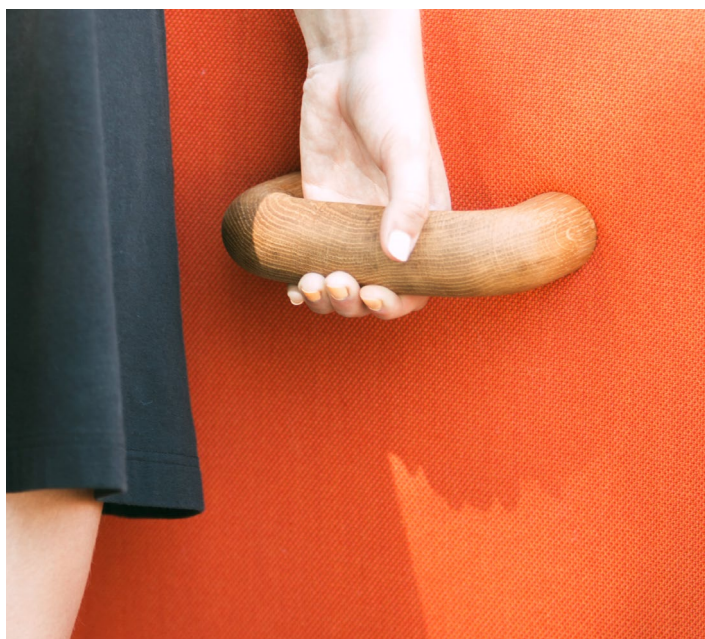
## OPTIONAL UPCHARGERS

**Foam:** fireproof foam

**Legs, handle, wheels:** painted black

**Fabrics:** Camira Mainline Flax, Spradling Valencia, Gabriel Europost 2, Camira Blazer, Camira Synergy

**Table:** Turnable sidetable. Oak: natural or painted black.



work in silence.

# BORG